



Emergency exit systems

Contents

Overview	4
DOOR CONTROL UNITS	
Connectable TZ 320 series	8
Connectable TZ 320 stainless steel series	14
T 320 terminal for bi-directional escape routes	20
LOCKING ELEMENTS	
FTV 320 escape door lock	26
MA 500 holding magnet	30
SYSTEM SOLUTIONS	
Emergency exit protection	36
Nursery school solution– flexible and safe entrance and exit control for nursery schools	36
Emergency exit protection	38
Bi-directional emergency exit protection for doors with emergency exit function in both directions.	38
Central control	40
For doors in interlocking door systems	40
INDIVIDUAL COMPONENTS AND ACCESSORIES	
Key switches	46
Emergency push buttons	49
Emergency exit signs	52
Power supply	53
Indicator lamps and signal horns	56
Synchronising unit	59
OPERATING ELEMENTS	
myGEZE Control	62
myGEZE Visu	64
Accessories	65

APPLICATION	TZ 320 Standard	TZ 320 Comfort with IO 420 extension module
LOCAL OPERATION / DISPLAY		
Short-time release (20 s)		
Short-time release (1 s – infinite)	●	●
Cancellation of short-time release with door closed	●	●
Retriggering short-time release	●	●
Pre-alarm (60 s)		
Pre-alarm (1 s – 10 min.)	●	●
Alarm	●	●
Permanent unlocking	●	●
CONNECTION POSSIBILITIES		
FTV 320 escape door lock	3 x	3 x
Emergency exit electric strike type 331 / 332	3 x	3 x
MA 500 holding magnet	2 x	2 x
Danger alarm system emergency unlocking	●	●
Indirect activation	●	●
Central emergency push button via safety circuit	●	●
External key switch	●	●
SCT 222 external key switch with 2 LEDs	● ^{***}	●
External emergency push button	●	●
T 320 terminal (bi-directional escape route)	●	●
Access control (short-time unlocking)	●	●
Top lock (short-time unlocking)	●	●
Timer (unlocking) external	●	●
Timer (unlocking) internal	●	●
Burglar alarm system (locking has priority)	●	●
Programmable inputs	3	7
Programmable outputs	2	6
Flashlight / siren / alarm message	● [*]	●
Motor lock	● [*]	●
Lever lock	● [*]	●
Swing door drive	● ^{**}	●
Signal light controller	● ^{**}	●
Additional electric strike	● [*]	●
Output of different system states	● [*]	●
Connection to BMS via myGEZE Control		●
STANDARD		
Conform to EN 13637	●	●
OTHER		
Infrared interface for diagnosis, setting of parameters via ST 220 service terminal	●	●
Alarm memory	●	●
Integrated interlocking door system control	●	●
Network function for fire alarm system, timer, burglar alarm system	●	●

● = yes | * Function can be realised via two freely configurable outputs. There are two outputs available on the TZ 320. If more outputs are required, the TZ 320 Comfort with IO 420 extension module must be used. | ** Two outputs are required for this function. | *** RP 220 relay board ID no. 102355 required.





ACCESS CONTROL AND SAFETY

Door control units

Rescue routes must be individually adapted for each building – otherwise they are not safe. The door control unit plays an extremely important role in this respect: In normal circumstances, it lets authorised people pass through the door, and in an emergency, it opens for everyone. Use the wide selection of GEZE door control units with fire and danger alarm systems, escape door locks, motor locks and much more to bring your customised safety concept to life.



TZ 320



Door control unit for controlling escape route doors with illuminated emergency exit sign, key switch and power supply

AREAS OF APPLICATION

- EN 13637-compliant protection of an emergency exit against unauthorised access
- Can be used on single and double leaf doors
- Connectivity via bus enables e.g. interlocking door system control, forwarding of alarms, connection to building management system
- Can be combined with motor locks and swing door drives
- Realisation of a bi-directional emergency exit
- Flush-mounted installation ensures seamless integration into the building

PRODUCT FEATURES

- Flat impact cover enables fast and safe activation of the illuminated emergency push button in panic situations
- Coloured terminals simplify installation
- Three freely configurable inputs and two freely configurable outputs offer numerous possibilities for additional components
- Number of inputs and outputs can be extended with the IO 420 extension module
- Illuminated emergency exit sign improves visibility
- Integrated power supply offers additional flexibility
- Integrated key switch enables authorised passing through the emergency exit

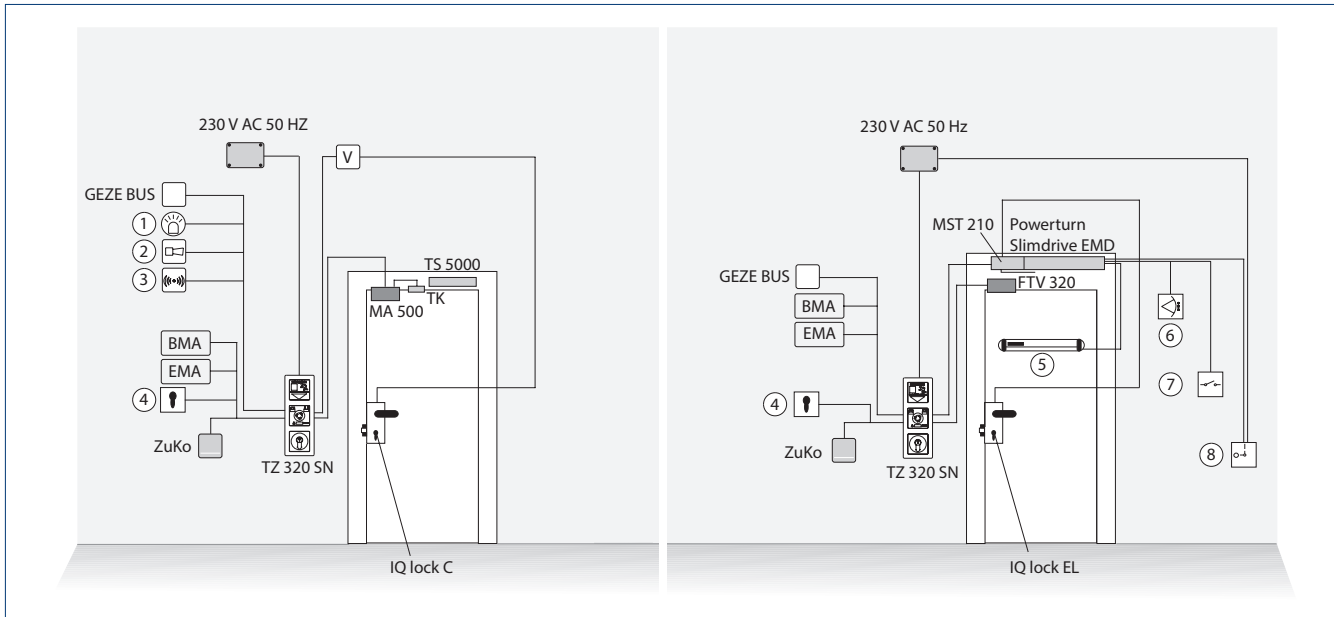
CONNECTIVITY POSSIBLE FOR DOOR CONTROL UNITS - TZ 320 SERIES

Connectivity – this is a top priority in this product series. You can realise complex applications here, because there are a large number of interfaces to other products and systems. These door control units can communicate with each other due to the integrated bus function. Messages can be visualised on a tableau or PC and can be forwarded to higher-ranking building management systems. Your escape route is secured against unauthorised access in any case. At the same time, the integrated emergency push button ensures access in emergency situations.

TECHNICAL DATA

	TZ 320 BSN UP	TZ 320 BSN AP
Width	81 mm	77 mm
Height	223 mm	197 mm
Depth	in flush-mounted sockets 62 mm deep	88 mm
Acoustic signal	75 dB	75 dB
Number of outputs	2	2
Number of inputs	3	3
Illuminated	yes	yes
Operating voltage	24 V DC	24 V DC
Contact current capacity	30 V / 1 A	30 V / 1 A
With ribbon cable	yes	yes
Type of installation	Flush-mounted	Surface-mounted
Emergency push button	yes	yes
Visual display	yes	yes
Parameter setting	ST 220 service terminal	ST 220 service terminal
Sabotage contact	yes	yes
IP rating	IP30	IP30
Current consumption	130 mA	130 mA
Power supply for external devices (24 V DC)	600 mA	650 mA
Service temperature	-10 °C...+55 °C	-10 °C...+55 °C
Supply voltage	230 V	230 V
Delayed emergency push button	no	no
Cylinder type	Euro profile half cylinder	Euro profile half cylinder
Conform to EN 13637	yes	yes

TZ 320 STANDARD DOOR CONTROL UNIT – SYSTEM STRUCTURE



1 = flashlight | 2 = signal horn | 3 = alarm message | 4 = key switch | 5 = sensor strip | 6 = movement detector | 7 = contact sensor | 8 = main switch |
 BMA = fire alarm system | FTV 320 = escape door lock | FS = latch lock | EMA = burglar alarm system | MA 500 = holding magnet |
 MST 210 = motor lock control | Powerturn/Slimdrive EMD = swing door drive | TK = door contact | TS 5000 = door closer | ZuKo = access control

FUNCTIONAL DESCRIPTION

In the direction of escape, the door is held closed by an additional electrical locking element which is controlled by the door control unit as the central system unit. Authorised passing of the secured door can be by means of external activation devices such as key switches, access control or an intercom. In the direction of escape, authorised passage is also possible by means of the integrated key switch of the door control unit. If the door is to be passed through from the outside, the panic lock must be mechanically unlocked as well.

Time monitoring of the door

If the door is not closed after the release time for authorised activation has expired, a pre-alarm is triggered to draw attention to the time limit being exceeded. If the pre-alarm time is also exceeded, a door alarm is triggered and has to be acknowledged by the key switch

Passing of the door in case of an emergency

In case of an emergency, the door can be released at any time via the integrated emergency push button. Visual and acoustic signal transmitters integrated in the door control unit signal unauthorised passing of the door.

Central control and visualisation

Due to the integrated bus function of the TZ 320, central visualisation and control of the individual doors can take place via myGEZE Control.

Bus functions

Burglar alarm systems (EMA), fire alarm systems (BMA) or timers (ZSU) can be connected to a door control unit in the bus system. The signals can be forwarded by the bus to all further door control units. Up to five groups are always possible.

Note: forwarding the fire alarm system signal is not permitted with EN 13637 conforming control units.

Other functions

- Permanent unlocking
- Locking
- Acknowledging an alarm
- Emergency unlocking via the fire alarm system

Design variants

The variant with IQ lock C, a self-locking contact lock in place of the panic lock, offers increased ease of access from the outside by only one operating process. Mechanical unlocking of the lock and release of the emergency exit protection are carried out simultaneously. The lock is unlocked by the Euro profile cylinder via the integrated cylinder contact of the IQ lock C, and a short-time release is executed at the TZ 320 at the same time.

The variant with IQ lock EL, a self-locking motor lock combined with swing door drive, offers increased access convenience due to the fully automatic opening of the door after authorised passage. In daytime operation the door control unit can be permanently unlocked so that passage via push button or radar sensor is possible by anyone. At night, the door control unit can be locked so that passage is only possible by authorised persons. In addition, the self-locking feature guarantees the doors are always locked in accordance with insurance requirements.

Planning information

The TZ 320 is very well equipped with two freely programmable outputs and three programmable inputs. If the requirements make more outputs or inputs necessary, the system TZ 320 Comfort with IO 420 extension module must be used. If, for example, alarm messages are required in addition to a swing door drive, or if other signals have to be forwarded to a central building management system, more than two outputs are necessary.

System components

- TZ 320 SN AP/UP door control unit
- FTV 320 escape door lock
- Emergency exit electric strike with latch lock or holding magnet with installation set and door contact

Options

- Flashlight, signal horn
- SCT 220, SCT 222, SCT 320 external key switches
- NOT 320 external emergency push button
- Uninterrupted power supply (UPS)
- T 320 terminal
- ST 220 service terminal
- IQ lock EL, EM, C, M
- Slimdrive EMD, ECTurn, Powerturn swing door drives
- Extension of the digital inputs and outputs via IO 420 extension module
- Connection to BACnet IP via myGEZE Control

ORDER INFORMATION

Designation	Switch programme	Version	ID no.
TZ 320 BSN door control unit, flush-mounted, EN 13637	Jung AS 500	white	193509
Consisting of: a control unit with emergency push button, key switch with Euro profile half cylinder.	Jung LS 990	stainless steel	193510
Emergency exit sign, illuminated, power supply 24 V DC	Gira E2	anthracite	193511
	Gira E2	pure white matt	193542
TZ 320 BSN door control unit, surface-mounted, EN 13637		white aluminium	193546
Consisting of: a control unit with emergency push button, key switch with Euro profile half cylinder.		green	193545
Emergency exit sign, illuminated, power supply 24 V DC			
TZ 320 BS door control unit, surface-mounted, EN 13637		white aluminium	193544
Consisting of: control unit with emergency push button, key switch with Euro profile half cylinder, illuminated emergency exit sign, operating voltage 24 V DC		green	193543
Door control unit configuration			199289
TZ 320 UP control unit			129586
Control unit with emergency push button impact cover made of transparent plastic			

Products



TZ 320 BSN door control unit, flush-mounted, EN 13637, Gira E2 pure white matt (193542)



TZ 320 BSN door control unit, flush-mounted, EN 13637, Gira E2 anthracite (193511)



TZ 320 BSN UP door control unit, EN 13637, Jung AS 500 white (193509)



TZ 320 BSN UP door control unit, EN 13637, Jung LS 990 stainless steel (193510)



TZ 320 BSN door control unit, surface-mounted, EN 13637 (193545), TZ 320 BS door control unit, surface-mounted, EN 13637 (193543)



TZ 320 BSN door control unit, surface-mounted, EN 13637 (193546), TZ 320 BS door control unit, surface-mounted, EN 13637 (193544)



TZ 320 UP control unit (129586)

TZ 320 – stainless steel



Door control unit for controlling escape route doors with illuminated emergency exit sign, key switch and power supply

AREAS OF APPLICATION

- EN 13637-compliant protection of an emergency exit against unauthorised access
- Can be used on single and double leaf doors
- Connectivity via bus enables e.g. interlocking door system control, forwarding of alarms, connection to building management system
- Can be combined with motor locks and swing door drives
- Realisation of a bidirectional emergency exit
- Flush-mounted installation ensures seamless integration into the building

PRODUCT FEATURES

- Flat impact cover enables fast and safe activation of the illuminated emergency push button in panic situations
- Coloured connectors facilitate electrical connection
- Three freely configurable inputs and two freely configurable outputs offer numerous possibilities for additional components
- Number of inputs and outputs can be expanded using the IO 420 extension module
- Integrated power supply offers additional flexibility
- Integrated key switch enables authorised passing through the emergency exit
- Robust and attractive stainless steel housing
- Backlighting with LED backlight possible
- Installation in stainless steel box

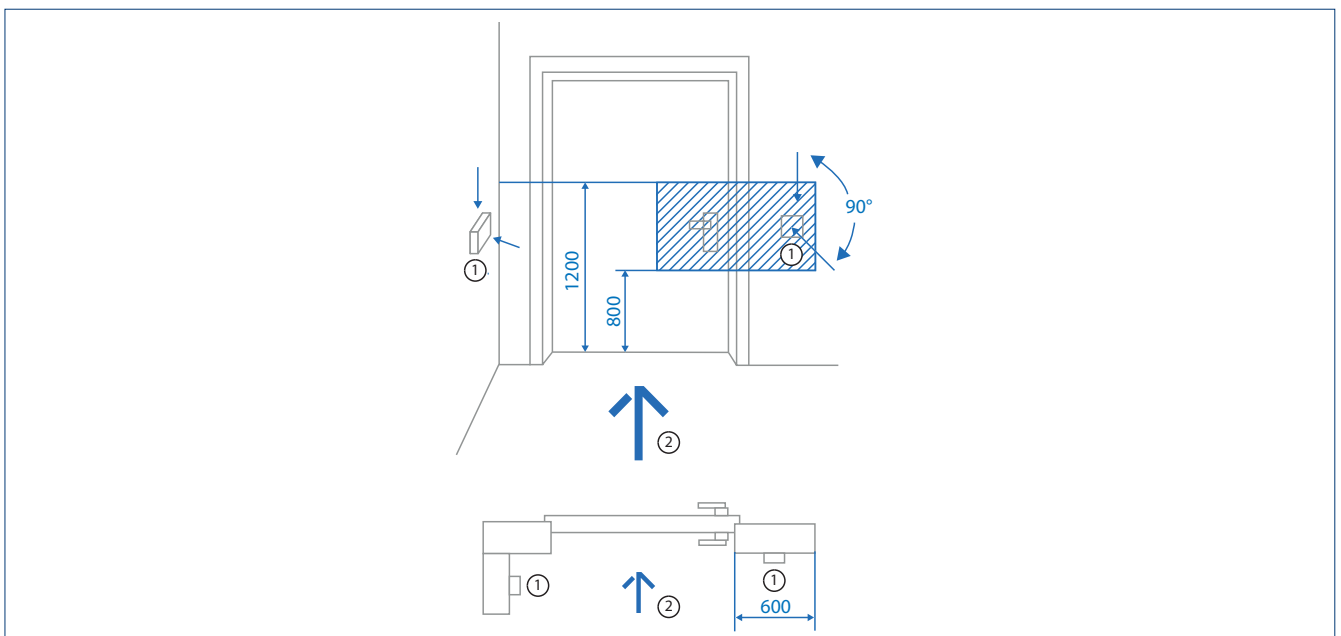
CONNECTIVITY POSSIBLE FOR DOOR CONTROL UNITS – TZ 320 STAINLESS STEEL SERIES

The design version of the TZ 320 is covered in high quality stainless steel. Because of this, it is particularly stable and offers increased protection against vandalism. The integrated sabotage protection is triggered once the front plate is removed. The identical designs of the surface-mounted and flush-mounted front plates make the two variants look almost identical. A distinction can only be established on the basis of the somewhat larger dimensions. This makes it possible to have a standardised look throughout a building. These door control units can be equipped with a “backlight” LED display. The LEDs can signal different functions, such as door closed (red) or door open (green), as well as LEDs continuous (green) or alarm (red).

TECHNICAL DATA

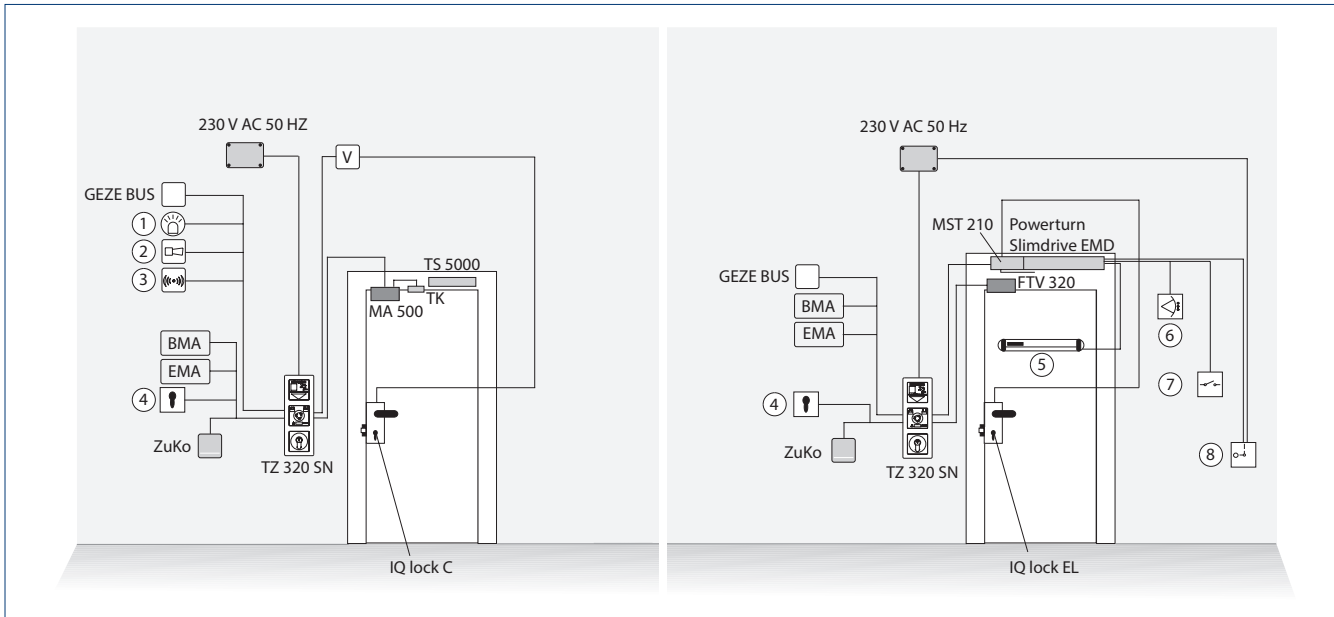
	TZ 320 BSN stainless steel, flush-mounted socket set EN 13637	TZ 320 BSN stainless steel, flush-mounted socket set EN 13637	TZ 320 BSN stainless steel, surface-mounted set EN 13637
Width	98 mm	98 mm	78 mm
Height	260 mm	260 mm	240 mm
Depth	11,5 mm	70 mm	70 mm
Acoustic signal	75 db	75 db	75 db
Number of outputs	2 pcs.	2 pcs.	2 pcs.
Number of inputs	3 pcs.	3 pcs.	3 pcs.
Illuminated	no	no	no
Operating voltage	24 V DC	24 V DC	24 V DC
Contact current capacity	30 V / 1 A	30 V / 1 A	30 V / 1 A
With ribbon cable	yes	yes	yes
Type of installation	flush-mounted	flush-mounted	surface-mounted
Emergency push button	yes	yes	yes
Visual display	yes	yes	yes
Parameter setting	ST 220 service terminal	ST 220 service terminal	ST 220 service terminal
Sabotage contact	yes	yes	yes
IP rating	IP30	IP30	IP30
Current consumption	130 mA	130 mA	130 mA
Power supply for external devices (24 V DC)	950 mA	950 mA	950 mA
Supply voltage	230 V	230 V	230 V
Service temperature	-10 - 55 °C	-10 - 55 °C	-10 - 55 °C
Cylinder type	Euro profile half cylinder	Euro profile half cylinder	Euro profile half cylinder
Conform to EN 13637	yes	yes	yes

POSITION OF THE DOOR CONTROL UNIT ACCORDING TO EN 13637



1 = emergency push button | 2 = direction of escape

STANDARD DOOR CONTROL UNIT – SYSTEM STRUCTURE



1 = flashlight | 2 = signal horn | 3 = alarm message | 4 = key switch | 5 = sensor strip | 6 = movement detector | 7 = contact sensor | 8 = main switch |
 BMA = fire alarm system | FTV 320 = escape door lock | FS = latch lock | EMA = burglar alarm system | MA 500 = holding magnet |
 MST 210 = motor lock control | Powerturn / Slimdrive EMD = swing door drive | TK = door contact | TS 5000 = door closer | ZuKo = access control

FUNCTIONAL DESCRIPTION

In the direction of escape, the door is held closed by an additional electrical locking element which is controlled by the door control unit as the central system unit. Authorised passing of the secured door can be by means of external activation devices such as key switches, access control or an intercom. In the direction of escape, authorised passage is also possible by means of the integrated key switch of the door control unit. If someone wants to pass through the door from the outside, the panic lock must be mechanically unlocked as well.

Time monitoring of the door

If the door is not closed after the release time for authorised activation has expired, a pre-alarm is triggered to draw attention to the time limit being exceeded. If the pre-alarm time is also exceeded, a door alarm is triggered and has to be acknowledged by the key switch.

Passing of the door in case of an emergency

In case of an emergency, the door can be released at any time via the integrated emergency push button. Visual and acoustic signal transmitters integrated in the door control unit signal unauthorised passing of the door.

Central control and visualisation

Due to the integrated bus function of the TZ 320, central visualisation and control of the individual doors can take place via the TE 220 control panel or myGEZE Control.

Bus functions

Burglar alarm systems (EMA), fire detector systems (BMA) or timers (ZSU) can be connected to a door control unit in the bus system. The signals can be forwarded by the bus to all further door control units. Up to five groups are always possible.

Note: Forwarding of the fire alarm system signal is not permitted for EN 13637 conforming control units.

Other functions

- Permanent unlocking
- Locking
- Acknowledging an alarm
- Emergency unlocking via the fire alarm system

Design variants

The variant with IQ lock C, a self-locking contact lock in place of the panic lock, offers increased ease of access from the outside by only one operating process. Mechanical unlocking of the lock and release of the emergency exit protection are carried out simultaneously. The lock is unlocked by the Euro profile cylinder via the integrated cylinder contact of the IQ lock C, and a short-term release is executed at the TZ 320 at the same time.

The variant with IQ lock EL, the self-locking motor lock combined with swing door drive, offers increased ease of access due to the fully automatic opening of the door after authorised passage. In daytime operation the door control unit can be permanently unlocked so that passage via push button or radar sensor is possible by anyone. At night, the door control unit can be locked so that passage is only possible by authorised persons. In addition, the self-locking feature guarantees the doors are always locked in accordance with insurance requirements.

Planning information

The TZ 320 is very well equipped with two freely programmable outputs and three programmable inputs. If the requirements make more outputs or inputs necessary, the system TZ 320 Comfort or the IO 420 extension module must be used. If, for example, alarm signals are needed in addition to a swing door drive, or if other signals have to be forwarded to a central building management system, more than two outputs are necessary.

System components

- TZ 320 SN AP/UP door control unit
- FTV 320 escape door lock
- Emergency exit electric strike with latch lock or holding magnet with installation set and door contact

Options

- Flashlight, signal horn
- External key switch SCT 220, SCT 222, SCT 320
- NOT 320 external emergency push button
- Uninterrupted power supply (UPS)
- T 320 terminal
- ST 220 service terminal
- IQ lock EL, EM, C, M
- Slimdrive EMD, ECTurn, Powerturn swing door drives
- TE 220 control panel
- Connection to BACnet IP via my GEZE Control

ORDER INFORMATION

Designation	Version	ID no.
TZ 320 BSN door control unit stainless steel, surface-mounted set, EN 13637 Consisting of: stainless steel front plate surface-mounted, standard, with recess for Euro profile cylinder, stainless steel housing surface-mounted, TZ 320 control unit flush-mounted with emergency, push button SCT 320 key switch, emergency exit sign pre-mounted, SCT design adhesive frame, 24 V DC power supply, output current max. 950 mA, 230 V AC power supply, operating voltage 24 V DC	stainless steel	193506
TZ 320 BSN door control unit stainless steel, flush-mounted set, EN 13637 Consisting of: stainless steel front plate flush-mounted, standard, with recess for Euro profile cylinder, stainless steel housing flush-mounted, TZ 320 UP control unit with emergency, push button SCT 320 key switch, emergency exit sign pre-mounted, SCT design adhesive frame, 24 V DC power supply, output current max. 950 mA 230 V AC power supply, 24 V DC operating voltage	stainless steel	193507
TZ 320 BSN stainless steel door control unit, flush-mounted socket set, EN 13637 Consisting of: stainless steel front plate, flush-mounted standard with recess for Euro profile cylinder, white spacer frame, TZ 320 UP control unit with emergency push button, SCT 320 key switch, emergency exit sign pre-mounted, SCT design adhesive frame, 24 V DC power supply Not included: wall fixing screws Output current max. 950 mA, power supply 230 V AC Operating voltage 24 V DC	stainless steel	193508
TZ 32x stainless steel housing	surface-mounted flush-mounted	155016 155017
Stainless steel front plate, standard EN 13637 Incl. Makrolon panel with pre-mounted emergency exit sign	surface-mounted flush-mounted	193550 193552
Stainless steel front plate RFID, EN 13637 With recess for RFID reader, incl. Makrolon panel with pre-mounted emergency exit sign	surface-mounted flush-mounted	193551 193553
Door control unit configuration		199289
TZ 320 UP control unit Control unit with emergency push button impact cover made of transparent plastic		129586
ACCESSORIES		
Spacer frame for stainless steel housing surface-mounted For installation of the door control unit with surface-mounted stainless steel housing		158696
Spacer frame for stainless steel housing surface-mounted For installation of the door control unit with flush-mounted stainless steel front plate in standard flush-mounted sockets		155030
LED-Backlight, GN/RD For optical backlighting of the stainless steel front plate		155031
SCT design adhesive frame, rectangular/round For attachment around the Euro profile cylinder recess on the front plate.		155034
Accessories mains connection Strain relief of the cables, earthing of the V2A housing Connection of the power supply circuit through Wago connector		155035

Products



TZ 320 BSN door control unit stainless steel, surface-mounted set, EN 13637(193506)



TZ 320 BSN door control unit stainless steel, flush-mounted set, EN 13637 (193507)



TZ 320 BSN door control unit stainless steel, flush-mounted socket set, EN 13637 (ID 193508)



TZ 32x stainless steel housing surface-mounted (155016)



TZ 32x stainless steel housing flush-mounted (155017)



Stainless steel front plate, standard, EN 13637 (193550)



Stainless steel front plate RFID, surface-mounted EN 13637 (193551)



TZ 320 UP control unit (129586)

T 320 terminal



Slave control unit for bi-directional escape routes with a TZ 320 or TZ 322 with integrated key switch

AREAS OF APPLICATION

- Terminal functions as additional interface for a TZ 320 to trigger an indirect release of a bi-directional emergency exit
- Realisation of a bi-directional emergency exit
- Realisation of an escape balcony

PRODUCT FEATURES

- Flat impact cover enables fast and safe activation of the illuminated emergency push button in panic situations
- Coloured connectors facilitate electrical connection
- Integrated key switch enables authorised passing through emergency exit
- Illuminated emergency exit sign improves visibility

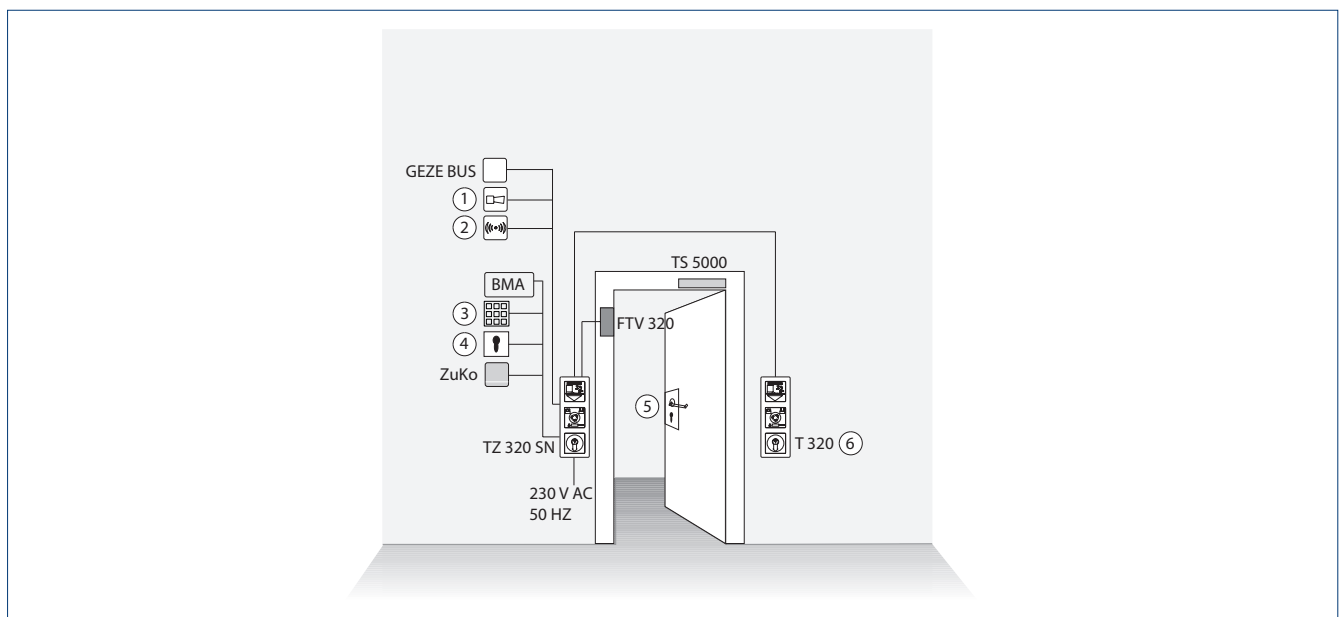
TERMINAL FOR BI-DIRECTIONAL ESCAPE ROUTES – T 320 SERIES

Your escape route goes in both directions? No problem! Doors that are to secure the escape route in both directions are equipped with a TZ 320 on one side and a T 320 on the other. Thus, in case of danger, the door can be safely unlocked from both sides at any time via an emergency push button. The activation of the electric locking element can be controlled via the terminal as well as via the door control unit. This locking element keeps the doors locked and prevents unauthorised access.

TECHNICAL DATA

	T 320 AP terminal	T 320 UP control unit
Acoustic signal	75 dB	75 dB
Illuminated	optional	no
Operating voltage	24 V DC	24 V DC
Width	77 mm	for installation in 55 mm grid
Height	197 mm	for installation in 55 mm grid
Depth	88 mm	in flush-mounted sockets 62 mm deep
With ribbon cable	yes	yes
Type of installation	Surface-mounted	Flush-mounted
Emergency push button	yes	yes
Visual display	yes	yes
Sabotage contact	yes	yes
IP rating	IP30	IP30
Current consumption	100 mA	100 mA
Temperature range	-10 °C...+55 °C	-10 °C...+55 °C
Supply voltage	24 V DC	24 V DC
Delayed emergency push button	no	no
Supply voltage	230 V	230 V
Delayed emergency push button	no	no
Cylinder type	Euro profile half cylinder	-
Conform to EN 13637	yes	yes

BI-DIRECTIONAL ESCAPE ROUTE – SYSTEM STRUCTURE



1 = signal horn | 2 = alarm message | 3 = Toplock | 4 = key switch | 5 = panic lock | 6 = terminal / door control unit

SYSTEM DESCRIPTION

Authorised passage in the 1st direction of escape

Authorised passage through the secured door in the 1st direction of escape is by means of a key switch integrated in the door control unit. In addition, passage via external elements e.g. access control or a key switch is also possible. The door is released for authorised passage for a configurable amount of time (short-time release).

Authorised passage in the 2nd direction of escape

Authorised passage through the secured door in the 2nd direction of escape is by means of a key switch integrated in the terminal. In addition, passage via external elements e.g. access control or a key switch is also possible. The door is released for authorised passage for a configurable amount of time (short-time release).

Time monitoring of the door

If the door is not closed after the release time for authorised activation has expired, a pre-alarm is triggered to draw attention to the time limit being exceeded. If the pre-alarm time is also exceeded, a door alarm is triggered and has to be acknowledged by the key switch. The door is equipped with a door closer to ensure it closes automatically after passage.

Passing the door in case of an emergency

The door can be released at any time in case of an emergency via the emergency push button integrated on the door control unit and/or on the terminal. Visual and acoustic signal transmitters integrated in the door control unit and in the terminal signal unauthorised passing of the door. There is also the possibility of triggering external signal transmitters via an alarm contact or relaying a message to a building management system.

ORDER INFORMATION

Designation	Version	ID no.
T 320 AP terminal, EN 13637	white aluminium	193548
Consisting of: control unit with emergency push button, key switch with Euro profile half cylinder, non-illuminated emergency exit sign	green	193547
T 320 UP control unit (No complete flush-mounted set available, assembled of individual components)		140999

Products



T 320 AP control unit
(193547)



T 320 AP control unit
(193548)



T 320 UP control unit
(140999)



ACCESS CONTROL AND SAFETY

Locking elements

A hazardous situation can cause panic and represent a danger to life – which is why it's even more important that electrically locked doors clear the escape route immediately. Locking elements such as the GEZE escape door locks, react immediately when they are released by authorised parties or someone presses the emergency push button. Other advantages: they save space, are easy to install and provide protection against manipulation and vandalism, due to clever devices. We are happy to help you choose the right locking elements for your emergency exit.



FTV 320



Escape door lock for doors in rescue routes

AREAS OF APPLICATION

- Single and double leaf doors
- Installation in the frame or the door leaf ensures a tidy appearance
- Can be used for numerous other safety solutions that require a fail-safe principle

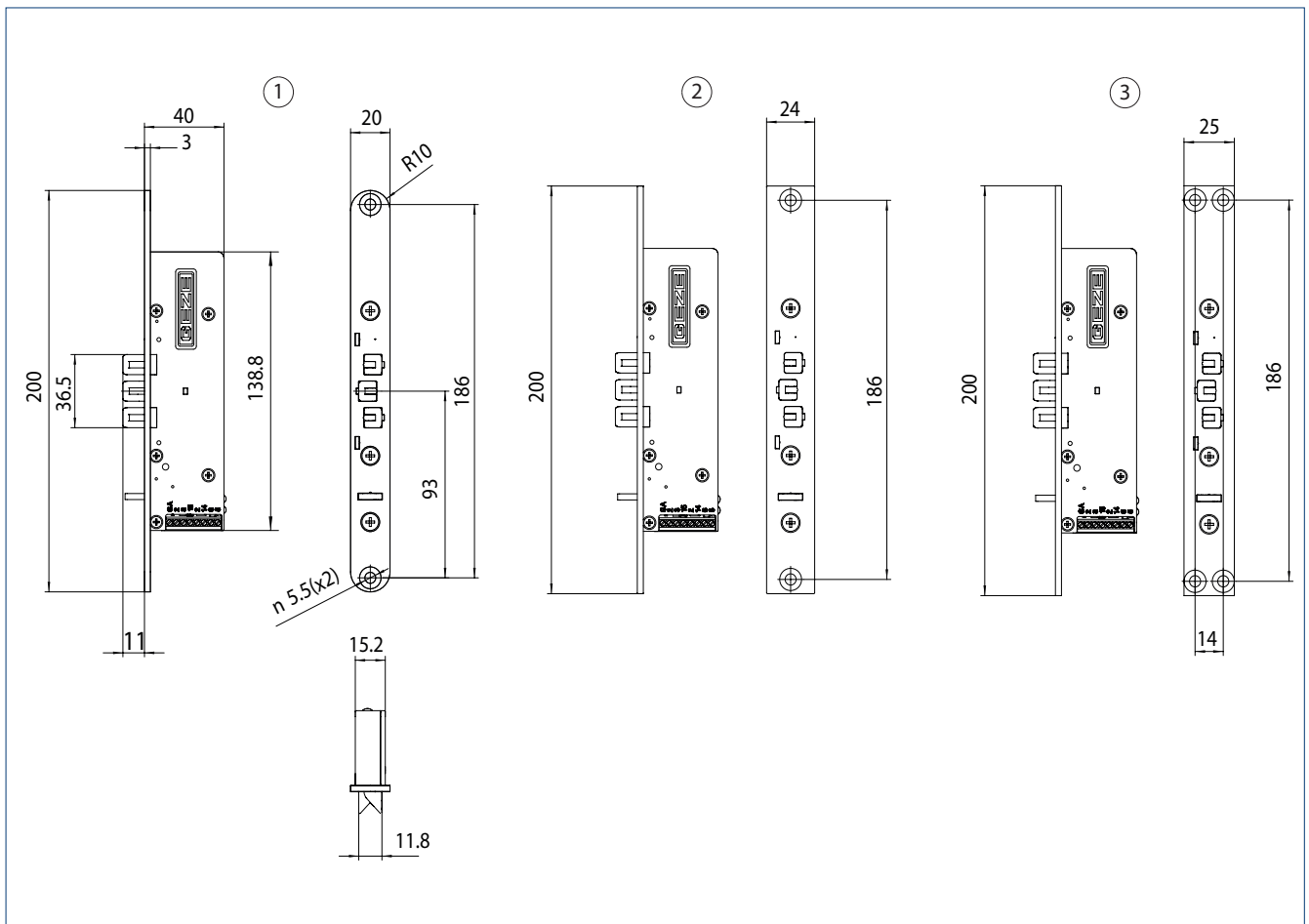
PRODUCT FEATURES

- Unique cross latch mechanism guarantees secure locking
- Integrated feedback contact ensures reliable monitoring of the door
- Integrated sabotage monitoring secures the locking mechanism against manipulation
- Variety of face plates and accessories offers a solution for almost every door situation

TECHNICAL DATA

FTV 320	
Height	138.8 mm
Width	15 mm
Depth	38 mm
Operating voltage	24 V DC
Current consumption in locked state	100 mA
Service temperature	-20 °C...+60 °C
Latch preload	3,000 N
Break-open resistance	5,000 N
Clearance	5 +/- 2 mm
DIN direction	universal
Feedback contact	yes
Fail-safe	yes
Conform to EN 13637	yes

PRODUCT SCALE DRAWINGS



1 = ID 158906 FTV 320 escape door lock face plate 20 x 200 x 3 mm, round for solid leaf doors (wood) | 2 = ID 158908 FTV 320 escape door lock Face plate 24 x 200 x 3 mm, rectangular, for tubular-framed door | 3 = ID 158913 FTV 320 escape door lock face plate 25 x 200 x 3 mm, rectangular, alternative version FTÖ 331

PRODUCT FEATURES

Planning reliability and simple consulting

One escape door lock for many applications. The types of installation DIN right / DIN left, horizontal / vertical, in door leaf or door frame make the FTV 320 extremely versatile. Exchange with products from other manufacturers is no problem. The comprehensive range of accessories complies with the standard dimensions.

Time-saving and failsafe

Additional components such as relay boards are not necessary. The double assignment of terminals is not required, nor is the setting of cable bridges between two terminals.

Space-saving

The small dimensions and omission of the latch lock previously required, use of the FTV 320 avoids unnecessary recesses in the door or frame. Leaving more room for fireproof insulation on fire protection doors. Cables can be routed past the housing of the escape door lock.

Simple to install

Locking device and face plate are delivered pre-mounted. Two fixing screws are all that is required for safe attachment. The strike plate on the opposite side is also installed using only two screws. There is no need for a latch lock to be installed.

Protection against vandalism and manipulation

Unlike conventional latch locks, the cross latches of the FTV 320 are blocked in the locked state, which prevents them from being manipulated using a cheque card. The mechanism and integrated control circuit board are protected against manipulation attempts and report any attempts to a higher-order level.

FTV 320 ESCAPE DOOR LOCK – ORDER INFORMATION

Designation	DIN door stop	Version	ID no.
FTV 320 escape door lock Face plate 20 x 200 x 3 mm, round for solid leaf doors (wood)	left/right		158906
FTV 320 escape door lock Face plate 24 x 200 x 3 mm, round for solid leaf doors (steel)	left/right		158909
FTV 320 escape door lock Face plate 22 x 220 x 3 mm, rectangular for tubular-framed doors	left/right		158907
FTV 320 escape door lock Face plate 24 x 200 x 3 mm, rectangular for tubular-framed doors	left/right		158908
FTV 320 escape door lock Face plate 28 x 200 x 3 mm, rectangular for tubular-framed doors	left/right		158910
FTV 320 escape door lock Face plate 30 x 200 x 3 mm, rectangular for tubular-framed doors	left/right		158911
FTV 320 escape door lock Angled face plate 30 x 48 x 220 x 3 mm, rectangular Alternative version FTÖ 331	left/right		158912
FTV 320 escape door lock Face plate 25 x 200 x 3 mm, rectangular Alternative version FTÖ 331	left/right		158913
FTV 320 escape door lock Face plate with lock latch guide 35 x 200 x 3 mm, rectangular Alternative version FTÖ 331	left/right		158914

FTV 320 ESCAPE DOOR LOCK – ORDER INFORMATION

Designation	DIN door stop	Version	ID no.
Strike plate 20 x 110 x 3, round for solid leaf doors (wood)	left/right	stainless steel	159059
Strike plate 20 x 140 x 3, round for solid leaf doors (wood)	left/right	stainless steel	159050
Lipped strike plate, can be shortened 20 x 140 x 3 mm (core dimensions), round for solid leaf doors (wood)	left/right	stainless steel	159056
Adjustable lipped strike plate, can be shortened 20 x 140 x 4 mm (core dimensions), round for solid leaf doors	left/right	stainless steel	159063
Strike plate 24 x 110 x 3 mm, round for solid leaf doors	left/right	stainless steel	159061
Strike plate 24 x 140 x 3 mm, round for solid leaf doors (steel)	left/right	stainless steel	159053
Lipped strike plate, can be shortened 24 x 140 x 3 mm (core dimensions), round for solid leaf doors (steel)	left/right	stainless steel	159058
Adjustable lipped strike plate, can be shortened 24 x 140 x 4 mm (core dimensions), round for solid leaf doors	left/right	stainless steel	159064
Strike plate 20 x 110 x 3, rectangular for tubular-framed doors	left/right	stainless steel	163768
Strike plate 22 x 220 x 3 mm, rectangular for tubular-framed doors	left/right	stainless steel	159051
Strike plate 24 x 110 x 3, rectangular for tubular-framed doors	left/right	stainless steel	163769
Strike plate 24 x 130 x 3 mm, rectangular for tubular-framed doors	left/right	stainless steel	159060
Strike plate 24 x 140 x 3 mm (core dimensions), rectangular for tubular-framed doors	left/right	stainless steel	159052
Lipped strike plate, can be shortened 24 x 140 x 3 mm (core dimensions), rectangular for tubular-framed doors	left/right	stainless steel	159057
Adjustable lipped strike plate, can be shortened 24 x 140 x 4 mm (core dimensions), rectangular for tubular-framed doors	left/right	stainless steel	159065
Strike plate 28 x 130 x 3 mm, rectangular for tubular-framed doors	left/right	stainless steel	159062
Strike plate 28 x 140 x 3 mm, rectangular for tubular-framed doors	left/right	stainless steel	159054
Strike plate 30 x 140 x 3 mm, rectangular for tubular-framed doors	left/right	stainless steel	159055
Strike plate support 20 x 140 x 1 mm, rectangular	left/right	stainless steel	159066
Strike plate support 24 x 140 x 1 mm, rectangular	left/right	stainless steel	159067
Strike plate support 24 x 140 x 3 mm, rectangular	left/right	stainless steel	159068
Support FTV 320 24 x 200 x 1 mm, rectangular	left/right	stainless steel	159072
Support FTV 320 24 x 200 x 3 mm, rectangular	left/right	stainless steel	159071
Strike plate support 28 x 140 x 1 mm, rectangular	left/right	stainless steel	159069
Strike plate support 28 x 140 x 3 mm, rectangular	left/right	stainless steel	159070

MA 500 holding magnet



For magnetic locking of emergency exits
in accordance with the fail-safe principle

AREAS OF APPLICATION

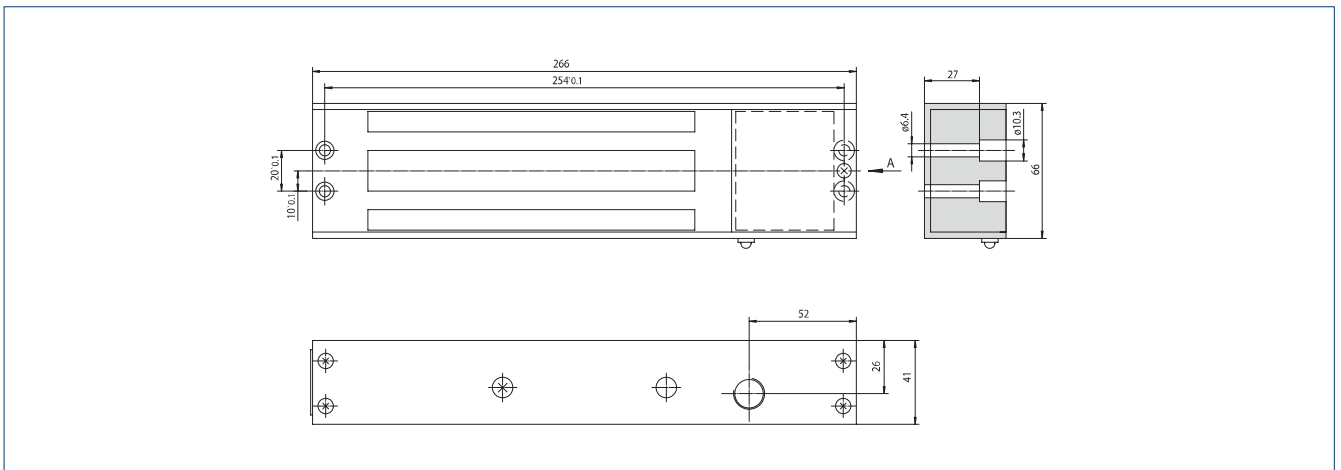
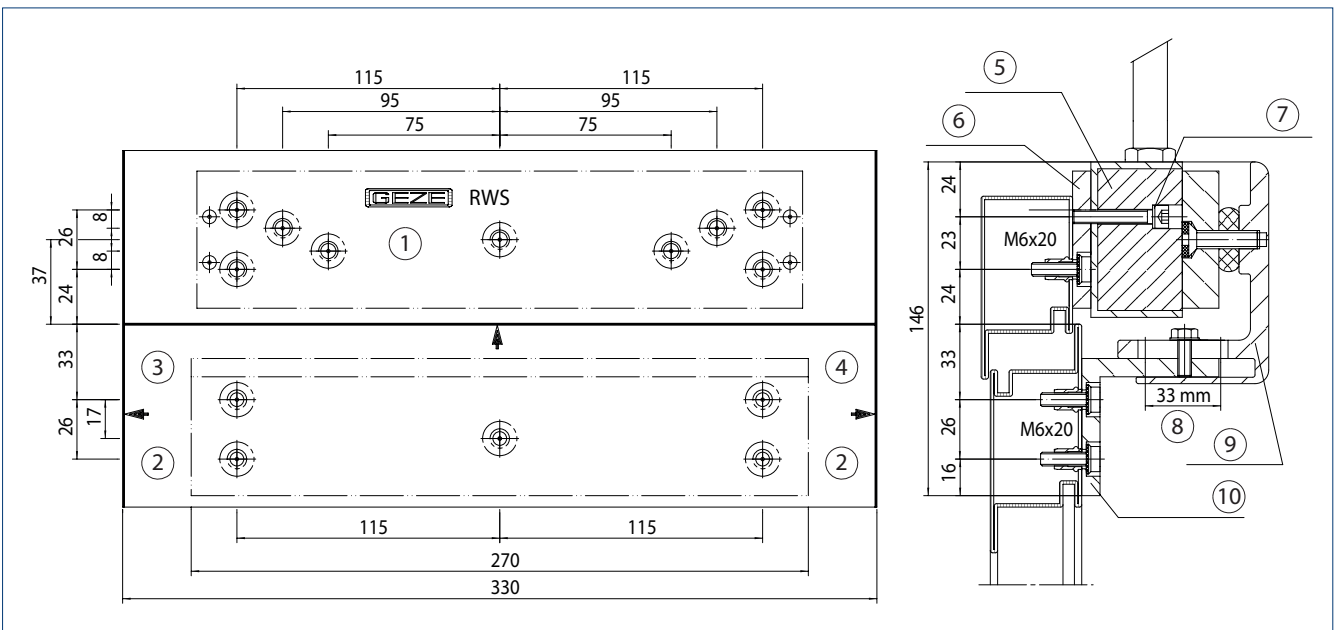
- Doors along escape and rescue routes
- Emergency exits

PRODUCT FEATURES

- Integrated monitoring controls the locking status
- Separate door contact enables door status message
- Different installation sets offer three different installation situations

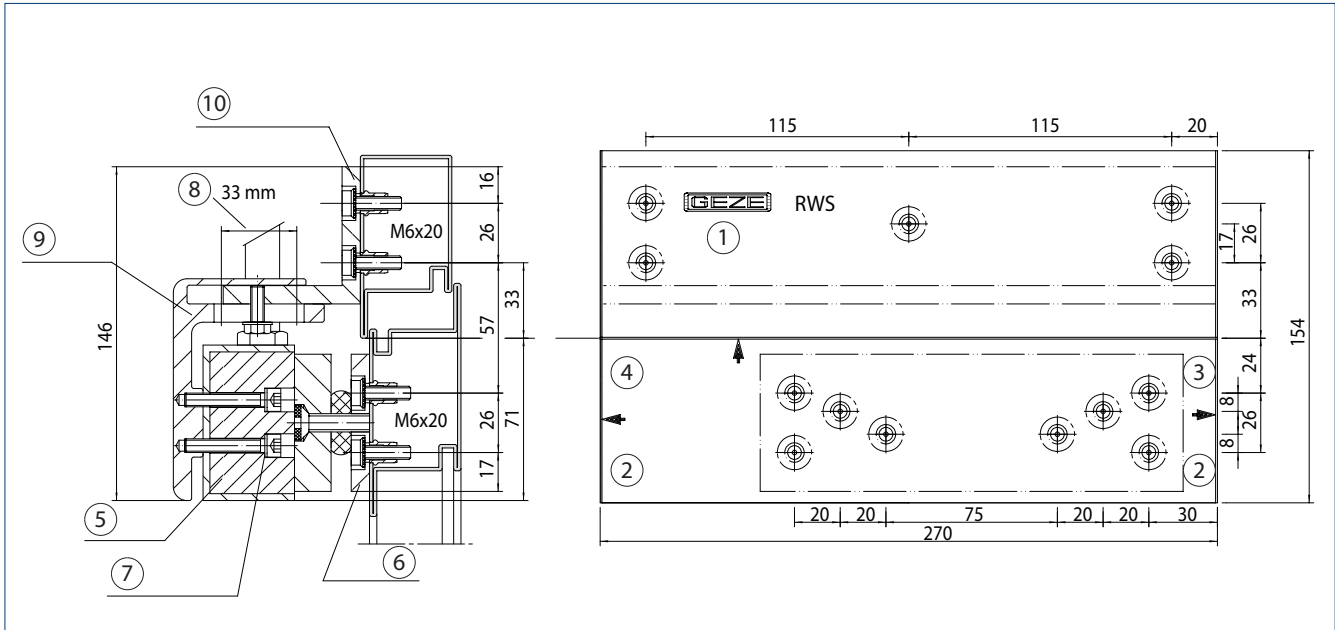
TECHNICAL DATA

MA 500	
Width	265 mm
Height	66 mm
Depth	41 mm
Type of installation	with corresponding installation set (hinge side, opposite hinge side or reveal)
Service temperature	-10 – 50 °C
IP rating	IP30
Operating voltage	24 V DC
Current consumption	250 mA
Feedback contact	yes
Fail-safe	yes
Conform to EN 13637	yes

PRODUCT SCALE DRAWING

INSTALLATION SET MA 500, HINGE SIDE


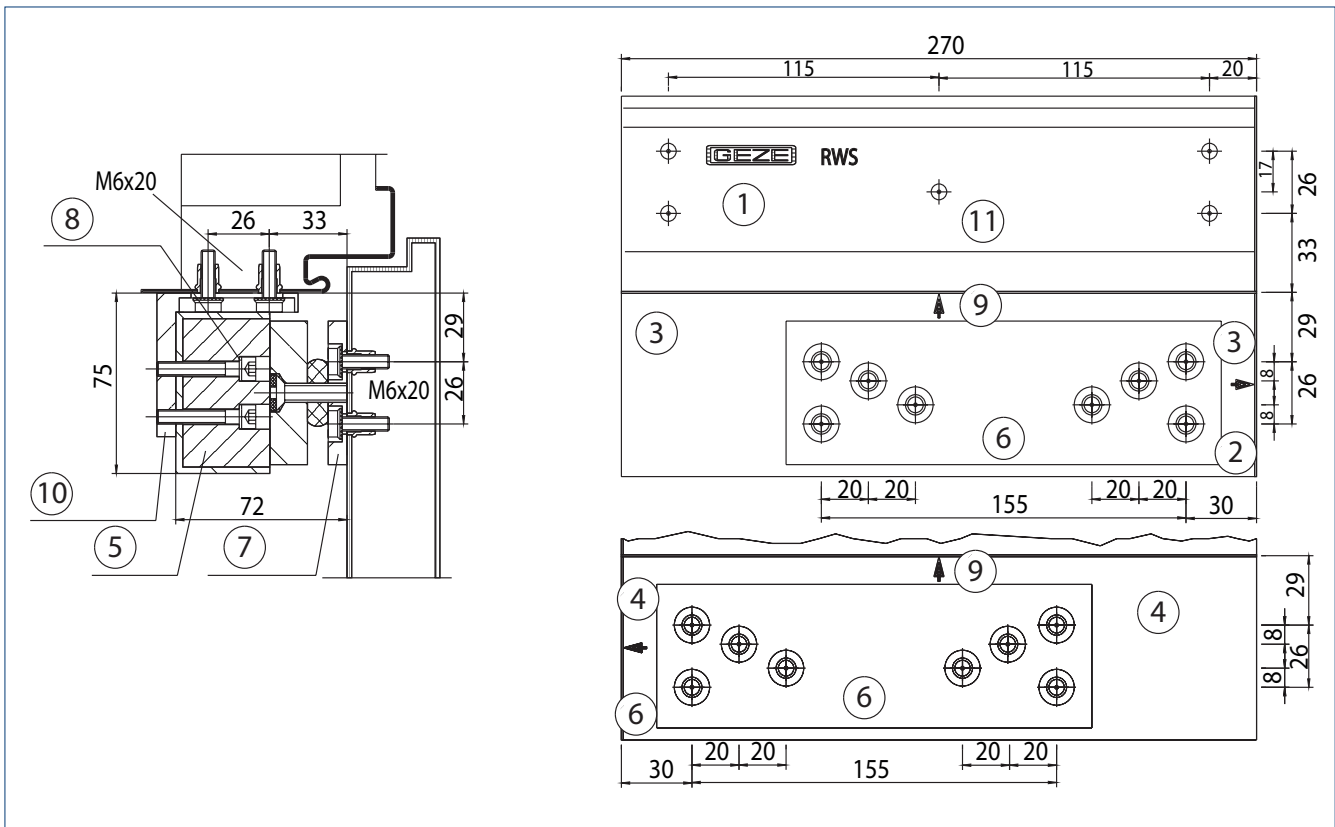
1 = drilling template hinge side | 2 = door edge lock side | 3 = door DIN right | 4 = door DIN left | 5 = magnet with counterplate | 6 = mounting plate | 7 = lock washer | 8 = adjusting path | 9 = installation bracket | 10 = mounting bracket

INSTALLATION SET MA 500, OPPOSITE HINGE SIDE



1 = drilling template opposite hinge side | 2 = frame lock side | 3 = door DIN right | 4 = door DIN left | 5 = magnet with counterplate | 6 = retaining plate | 7 = lock washer | 8 = adjusting path | 9 = installation bracket | 10 = mounting bracket

INSTALLATION SET MA 500, MOUNTING WITHIN REVEAL



1 = drilling template mounting within reveal | 2 = reveal lock side | 3 = door DIN right | 4 = door DIN left | 5 = magnet with counterplate | 6 = retaining plate on the door | 7 = retaining plate | 8 = lock washer | 9 = lintel | 10 = mounting bracket | 11 = mounting bracket on the reveal

ORDER INFORMATION

Designation	Version	ID no.
MA 500 holding magnet With counterplate	silver-coloured	024740
Installation set MA 500, hinge side	silver-coloured	024731
Installation set MA 500, opposite hinge side	silver-coloured	024732
Installation set MA 500, mounting within reveal	silver-coloured	025727
Surface-mounted magnetic contact Sensing distance 21 mm	white	200386
Reed contact set	white	106133



ACCESS CONTROL AND SAFETY

System solutions

We offer you complete solutions. From the initial consultation, the products and their installation through to the service following commissioning. Everything is tailored to your specific demands and needs. Our industry experts fully understand your concerns and will put together an individually tailored solution package.



Emergency exit protection

NURSERY SCHOOL SOLUTION – FLEXIBLE AND SAFE ENTRANCE AND EXIT CONTROL FOR NURSERY SCHOOLS

With this emergency exit protection system for doors in nursery schools, the emergency exit is always locked and thus reliably protected against unauthorised passage. Unauthorised use of the emergency exit door by children can thus best be prevented by an approved system. The special feature of this system is the push button on the inside, which is positioned at a height of 1.80 m, inaccessible for children. In addition, the outside push button can be enabled or disabled via a switch for the parents during the arrival and pick-up periods. The activation of the emergency push-button – at a level children can reach – immediately releases the door and is signalled by both visual and acoustic alarms. This solution is also suitable for existing doors which are already fitted with an electric strike and a knob or pull handle on the outside.



1 = panic lock with transmission function "E" on site | 2 = TS 4000/TS 5000 door closer | 3 = push button at 1.80 m height | 4 = switch to activate or deactivate the exterior push button | 5 = TZ 320 SN door control unit, surface-mounted/flush-mounted | 6 = FTV 320 escape door lock | 7 = A5000--B electric strike | 8 = key switch | 9 = push button outside

SYSTEM COMPONENTS

TZ 320 SN door control unit, surface-mounted/flush-mounted	●
FTV 320 escape door lock	●
A5000--B electric strike	●
RP 220 relay board	●
Push button at 1.80 m height	●
Push button outside	●
Switch to enable or disable the outside push button	●
TS 4000/TS 5000 door closer	●
Panic lock with transmission function "E" on site	●

OPTIONAL COMPONENTS

Swing door drive as an alternative to the door closer for automatic door operation	
Holding magnet with installation set and door contact instead of escape door lock	
Flashlight	
Signal horn	
Uninterruptible power supply (UPS)	
Timer instead of the switch	

● = yes

SYSTEM DESCRIPTION**Passage by nursery school personnel**

Personnel triggers a short-time release on the door control unit by activating the outside key switch. The door can then be passed using the key on the panic lock.

Pick up and drop off times

The outside push button can be enabled or disabled via a switch in the office or on the door. This means that parents can trigger a short-time release when they are bringing or collecting their children, and open the door from the outside. Parents can leave the nursery school again by opening the door using the push button mounted at a height of 1.80 m. The installation height of 1.80 m means the push button is out of children's reach.

Time monitoring of the door

If the door is not closed after the release time has expired, a pre-alarm is triggered. This is to draw attention to the fact that the time has been exceeded. If the pre-alarm time is also exceeded, a door alarm is triggered and has to be acknowledged by the key switch. The door is equipped with a door closer to ensure it closes automatically after passage.

Passing of the door in case of an emergency

The door can be released at any time in an emergency by pressing the integrated emergency push button on the door control unit which is usually installed at a height of 850 mm and is thus also accessible for children. Visual and acoustic signal transmitters integrated in the door control unit signal passing of the door. There is also the possibility of triggering external signal transmitters via an alarm contact or relaying a message to a building management system.

Burglary protection

To lock the door in accordance with insurance requirements, nursery school staff must lock it manually using the panic lock.

Emergency exit protection

BI-DIRECTIONAL EMERGENCY EXIT PROTECTION FOR DOORS WITH EMERGENCY EXIT FUNCTION IN BOTH DIRECTIONS.

In the case of doors that serve as an escape route in both directions, a special system solution is necessary in order for them to make passage possible in both directions in emergency situations. With the GEZE system solution, doors along escape routes are generally held closed via an additional electrical locking element and thus reliably secured against unauthorised passage. Passage of the emergency exits is controlled by the TZ 320 door control unit. The T 320 terminal is fitted in the second direction of escape. In case of danger, the door can be safely unlocked from both sides at any time via an emergency push button. The door can be controlled and monitored via the T 320 terminal and via the TZ 320 door control unit.



1 = TS 4000/TS 5000 door closer | 2 = TZ 320 SN door control unit, surface-/flush-mounted | 3 = FTV 320 escape door lock | 4 = T 320 terminal surface- or flush-mounted

SYSTEM COMPONENTS

TZ 320 SN door control unit, surface-mounted/flush-mounted	●
T 320 terminal surface- or flush-mounted	●
FTV 320 escape door lock	●
TS 4000/TS 5000 door closer	●

OPTIONAL COMPONENTS

Holding magnet with installation set and door contact instead of escape door lock	
Flashlight	
Signal horn	
Uninterruptible power supply (UPS)	
Access control	
Connection to BACnet IP via myGEZE Control	

● = yes

SYSTEM DESCRIPTION**Authorised passage in the 1st direction of escape**

Authorised passage through the secured door in the 1st direction of escape is by means of a key switch integrated in the door control unit. In addition, passage via external elements e.g. access control or a key switch is also possible. The door is released for authorised passage for a configurable amount of time (short-time release).

Authorised passage in the 2nd direction of escape

Authorised passage through the secured door in the 2nd direction of escape is by means of a key switch integrated in the terminal. In addition, passage via external elements e.g. access control or a key switch is also possible. The door is released for authorised passage for a configurable amount of time (short-time release).

Time monitoring of the door

If the door is not closed after the release time has expired, a pre-alarm is triggered. This is to draw attention to the fact that the time has been exceeded. If the pre-alarm time is also exceeded, a door alarm is triggered and has to be acknowledged by the key switch. The door is equipped with a door closer to ensure it closes automatically after passage.

Passing the door in case of an emergency

The door can be released at any time in case of an emergency via the emergency push button integrated on the door control unit and/or on the terminal. Visual and acoustic signal transmitters integrated in the door control unit and in the terminal signal unauthorised passing of the door. There is also the possibility of triggering external signal transmitters via an alarm contact or relaying a message to a building management system.

Central control

FOR DOORS IN INTERLOCKING DOOR SYSTEMS

This system allows interlocking door systems (active or passive) in the course of escape routes, e.g. in operating wings, laboratory and quarantine wards, to be achieved. This is the case when several doors are released in succession and may only be passed once the respective previous door has been closed again. The doors in one group mutually lock each other. A door control unit can be assigned to several groups at the same time. The interlocking door system relations can be changed at any time through simple parameter setting. A maximum of 10 interlocking door groups with altogether up to 63 door control units each are possible per bus system. For both types of interlocking door system, immediate access can be gained by activating the emergency push button. The interlocking door system function can be switched on and off by means of key switches.



1 = TS 4000/TS 5000 door closer | 2 = TZ 320 SN door control unit, surface-/flush-mounted, reader integrated | 3 = traffic light display red/green | 4 = FTV 320 escape door lock

SYSTEM COMPONENTS

TZ 320 door control unit	●
FTV 320 escape door lock	●
Traffic light display red/green	●
Push button	●
Power supply	●
TS 4000 / TS 5000 door closer	●

OPTIONAL COMPONENTS

Holding magnet with installation set and door contact instead of escape door lock	
Red indicator lamp instead of the traffic light display	
IQ lock EL motor lock	
IQ lock EM lever lock	
IQ lock C contact lock	
Slimdrive EMD / Powerturn swing door drive	
Timer (ZSU)	
Flashlight	
Signal horn	
Uninterruptible power supply (UPS)	

● = yes

SYSTEM DESCRIPTION**Active interlocking door system**

In the closed state, all the doors configured as part of an active interlocking door group are locked. If one of these doors is released short-term via respective activation devices, it transmits a signal to all the other doors in the group at the same time and prevents short-time unlocking.

Passive interlocking door system

In contrast to the active interlocking door system, all the doors configured as part of a passive interlocking door system are not generally locked when in a closed state. If one of these doors is opened, it transmits a signal to all other doors and locks these.

Mixed interlocking door system (active and passive)

Both interlocking door system types can be combined in one interlocking door group.

Continued locking of interlocking door system doors for pressure compensation or air purification, e.g. in clean rooms

A time can be set for the interlocking door system to remain locked after it has been passed through (locking all the doors of an interlocking door group). Different times can be set at all the door control units of an interlocking door system. It is possible, for example, to keep the door locked for 5 s following passage from a clean room to a grey room, and for 15 s following passage in the opposite direction (grey room > clean room), since more time is required to clean the air in this case.

Authorised passage from the non-secured area into the interlocking door system

Authorised passage from the non-secured area is by means of electric access control using a card reader or the integrated key switch of the door control unit. The door is released for authorised passage for a configurable amount of time (short-time release).

SYSTEM DESCRIPTION – CONTINUATION

Authorised passage out of the interlocking door system

In the interlocking door system, the doors are released via a push button without special authorisation. If a higher safety standard is required, an electric access control or mechanical key switch must be used here as well.

Authorised passage out of the secured area into the interlocking door system

In the secured area, the door is released via a push button without special authorisation. If a higher safety standard is required, an electric access control or mechanical key switch must be used here as well.

Opening multiple doors in an interlocking door system for transportation purposes

The "permanent unlocking" function on the door control units is used to disable the interlocking door system function. Several doors in one interlocking door group can then be opened at the same time. If deactivation of the interlocking door system is not possible for safety reasons, the "permanent unlocking" function can be suppressed on the door control units.

Visual display of the interlocking door system status

A locked interlocking door system is indicated by the integrated LEDs on the door control unit flashing red. In addition, the traffic light display is green when the interlocking door system can be entered and red when it is locked. As an option, the system can display only a red signal; this indicates that the interlocking door system is occupied. If no visual signal is displayed, the door can be passed.

Time monitoring of the door

If the door is not closed after the release time has expired, a pre-alarm is triggered. This is to draw attention to the fact that the time has been exceeded. If the pre-alarm time is also exceeded, a door alarm is triggered and has to be acknowledged by the key switch. The door is equipped with a door closer to ensure it closes automatically after passage.

Automated interlocking door systems

In the context of interlocking door system control it is also possible to activate swing door drives via the door control unit and thus to open and close doors in defined building sections. If a door is locked by the door control unit (basic state of active interlocking door system), the door drive is in the so-called night mode. If the short-time release is triggered, the drive is automatically activated and the door opens. After the hold-open time set on the drive has passed, the door closes and the door control unit locks the door. If a door is in an unlocked state (basic state of passive interlocking door system), the door drive is switched to automatic mode. The activation devices connected to the drive are active as long as the door is unlocked. If the door control unit locks, all the activation devices belonging to the automation are without function.

Passing of the door in case of an emergency

The door can be released in case of an emergency at any time via the integrated emergency push button. Visual and acoustic signal transmitters integrated in the door control unit signal unauthorised passing of the door. There is also the possibility of triggering external signal transmitters via an alarm contact or relaying a message to a building management system.

Integrating doors without escape route function

Other types of doors such as sliding doors, industrial doors etc. can be integrated in a simple interlocking door system relation by means of the door control units. In this case, the door control unit serves only as an interlocking door system control which interrupts or releases the activation devices of the other doors. Its standardisation means that this solution is more straightforward than an interlocking door system control via a programmable logic controller (PLC) which generally requires separate programming and a cable plan and wiring diagram.



ACCESS CONTROL AND SAFETY

Individual components and accessories



Key switches

SCT 320 UP KEY SWITCH



Areas of application

- Authorised control of operating statuses on various GEZE products
- Approved for use with GEZE emergency exit system door control units
- Designed for Euro profile half cylinder 30/10
- Dry internal applications
- Flush-mounted installation makes almost flush integration possible with a low installation height

Product features

- Two-sided switching operation, with Euro profile half cylinder and three keys
- With ribbon cable for convenient connection to the emergency exit system flush-mounted door control unit
- With integrated sabotage contact
- Designed for installation in 55-type flush-mounted ranges

TECHNICAL DATA

	SCT 320 UP
IP rating	IP20
Type of installation	Flush-mounted
Material	Plastic
Switching voltage	24 V DC
Switching current	1 A

SCT 220 UP KEY SWITCH



Areas of application

- Authorised control of operating statuses on various GEZE products
- Approved for use with GEZE emergency exit system door control units
- Designed for Euro profile half cylinder 30/10
- Dry internal applications
- Flush-mounted installation makes almost flush integration possible with a low installation height

Product features

- With single frame
- Two-sided switching operation, with Euro profile half cylinder and three keys

TECHNICAL DATA

	SCT 220 UP
IP rating	IP20
Type of installation	Flush-mounted
Material	Stainless steel or plastic
Switching current	10 A
Switching voltage	250 V AC

SCT 222 KEY SWITCH WITH LED



Areas of application

- Authorised control of operating statuses on various GEZE products
- Approved for use with GEZE emergency exit system door control units
- Designed for Euro profile half cylinder 30/10
- Outer areas due to high IP rating

Product features

- With integrated LED display for status feedback
- Right LED red/green and left LED yellow
- High-quality aluminium front plate
- Two-sided switching operation, with Euro profile half cylinder and three keys
- Sabotage-proof design, can only be opened with key

TECHNICAL DATA

SCT 222 with LED	
IP rating	IP54
Type of installation	Surface or flush-mounted
Material	Aluminium
Switching current	5 A
Switching voltage	230 V AC

KEY SWITCH STAY-PUT WITHOUT EURO PROFILE HALF CYLINDER



Areas of application

- For authorised activation of automatic doors
- For authorised changing of the mode of operation on automatic doors
- Internal application, some outer areas

Product features

- IP rating IP54
- Stay-put on both sides
- Cover can only be removed with the key
- Light alloy housing

TECHNICAL DATA

SCT stainless steel	
IP rating	IP54
Type of installation	Flush-mounted installation
Material	Light alloy housing
Switching current	5 A
Switching voltage	230 V AC

EURO-PROFILE HALF CYLINDER 40 MM 30/10

Areas of application

- Lock cylinder for activation of one or both sides of the door
- For key switches, manual locking devices, hook bolt locks



Product features

- Euro profile half cylinder 30/10

ORDER INFORMATION

Designation	Type of installation	Version	ID no.
SCT 320 key switch	Flush-mounted	alpine white	131984
Two-sided switching operation, with Euro profile half cylinder and three keys	Flush-mounted	pure white matt	130370
Frame available separately.	Flush-mounted	anthracite	132278
SCT 221 key switch	Flush-mounted	silver-coloured	054240
Single-sided switching operation, without Euro profile half cylinder	Surface-mounted	silver-coloured	054532
SCT 220 key switch, Jung LS 990	Flush-mounted	stainless steel	094170
Two-sided switching operation, with Euro profile half cylinder and three keys			
SCT 220 key switch, GIRA E2	Flush-mounted	pure white matt	094012
Two-sided switching operation, with Euro profile half cylinder and three keys			
SCT 222 key switch with LEDs	Surface-mounted	silver-coloured	100065
Two-sided switching operation, with Euro profile half cylinder and three keys	Flush-mounted	silver-coloured	100064
Key switch stay-put without Euro profile half cylinder	Flush-mounted	silver-coloured	111357
Euro-profile half cylinder 40 mm 30/10			090176

Emergency push buttons

NOT 320 EMERGENCY PUSH BUTTON



Areas of application

- Mains voltage can be switched off in the case of an emergency and during maintenance work
- Indirect activation of GEZE emergency exit system door control units
- Opening of automatic doors in case of an emergency

Product features

- LED lighting for better visibility, even in the dark
- Re-usable cover that protects against dust and dirt
- Contact system consists of one normally closed contact and one normally opened contact
- Flat impact cover enables fast and safe activation of the illuminated emergency push button in panic situations

TECHNICAL DATA

NOT 320 emergency push button	
IP rating	IP20
Type of installation	Surface or flush-mounted
Material of impact cover	Transparent plastic
Operating voltage	24 V DC
Current consumption	30 mA
Number of cores	4
Number of relays	2
Visual operating state display	yes
Sabotage contact	yes
Contact rating	30 V / 1 A
Temperature range	-10 °C ... +50 °C

NOT 220 AP EMERGENCY PUSH BUTTON



Areas of application

- Mains voltage can be switched off in the case of an emergency and during maintenance work
- Indirect activation of GEZE emergency exit system door control units
- Opening of automatic doors in case of an emergency
- Surface-mounted installation for simple installation without a lot of installation effort
- Outer areas due to high IP rating

Product features

- LED lighting for better visibility, even in the dark
- Contact system consists of one normally closed contact and one normally opened contact
- A second normally closed contact is available as an accessory
- Robust plastic housing protects the emergency push button reliably from mechanical effects

TECHNICAL DATA

NOT 220 AP emergency push button	
Dimensions	94 x 94 x 122 mm
IP rating	IP65
Type of installation	surface-mounted
Operating voltage	24 V DC
Current consumption	15 mA
Number of outputs	2
Temperature range	-25 °C ... +70 °C

NOT 220 UP EMERGENCY PUSH BUTTON



Areas of application

- Mains voltage can be switched off in case of an emergency
- Mains voltage can be switched off in case of maintenance work
- Indirect activation of GEZE emergency exit system door control units
- Opening of automatic doors in case of an emergency
- Flush-mounted installation makes almost flush integration possible with a low installation height

Product features

- LED lighting for better visibility
- Contact system consists of one normally closed contact and one normally opened contact
- A second normally closed contact is available as an accessory

TECHNICAL DATA

NOT 220 UP emergency push button	
IP rating	80.5 x 80.5 x 98 mm
Type of installation	IP20
Type of installation	flush-mounted
Operating voltage	24 V DC
Current consumption	15 mA
Number of outputs	2
Temperature range	-25 °C ... +70 °C

ORDER INFORMATION

Designation	Version	ID no.
NOT 320 UP emergency push button without frame	surface-mounted	136571
NOT 320 AP emergency push button with surface mounted cap Jung AS 500 and 1 x frame	flush-mounted	137967
NOT 220 AP emergency push button	surface-mounted	210203
NOT 220 UP emergency push button	flush-mounted	210204

Emergency exit signs

FWS 320 B EMERGENCY EXIT SIGN EN 13637



Areas of application

- Doors along escape and rescue routes
- Illumination of the emergency exit sign in an emergency exit system door control unit for better visibility

Product features

- Flat design for flush-mounted and surface-mounted installation
- Energy-efficient LED technology
- With ribbon cable for convenient connection to the emergency exit system door control unit
- Designed for installation in 55-type flush-mounted ranges

TECHNICAL DATA

FWS 320 B emergency exit sign EN 13637	
Dimensions	55 x 10 x 55 mm
Type of installation	Flush-mounted installation
Material	Plastic
Operating voltage	24 V DC
Current consumption	10 mA

EMERGENCY PUSH BUTTON NOTICE SIGN EN 13637



Areas of application

- Doors along escape and rescue routes

Product features

- Self-adhesive

TECHNICAL DATA

Emergency push button notice sign EN 13637	
Dimensions	94 x 94 mm
Colour	green (RAL 6032)

ORDER INFORMATION

Designation	Version	ID no.
FWS 320 B emergency exit sign EN 13637 illuminated with ribbon cable for installation on TZ 320 / SCT 320	green	193554
Emergency push button notice sign EN 13637 self-adhesive, dimensions: 94 x 94 mm	green	193993

Power supply

NT 1.1 A-24 V UP POWER SUPPLY



Areas of application

- Flush-mounted installation of the power supply
- For the supply of 24 V drives and control units

Product features

- Compact power supply

TECHNICAL DATA

NT 1.1 A-24 V UP power supply (151426)	
Dimensions (W x H x D)	54 x 54 x 32 mm
Output voltage	24 V DC
Output current (max.)	1.1 A

POWER SUPPLY 24 V DC (NT 1.5 A-24 V HS)



Areas of application

- For installation on top hat rails
- For the supply of 24 V drives and control units

Product features

- Quick and easy installation
- Powerful power supply with small dimensions

TECHNICAL DATA

NT 1.5 A-24 V HS (151425)	
Dimensions (W x H x D)	35 x 90 x 58 mm
Output voltage	24 V DC
Output current (max.)	1.5 A
Division units	2 division units

POWER SUPPLY 24 V DC (NT 2.5 A-24 V HS)



Areas of application

- For installation on top hat rails
- For the supply of 24 V drives and control units

Product features

- Quick and easy installation
- Powerful power supply with small dimensions

TECHNICAL DATA

	NT 2.5 A-24 V HS (151424)
Dimensions (W x H x D)	52 x 90 x 58 mm
Output voltage	24 V DC
Output current (max.)	2.5 A
Division units	3 division units

POWER SUPPLY 24 V DC (NT 6.25 A-24 V HS)



Areas of application

- For installation on top hat rails
- For the supply of 24 V drives and control units

Product features

- Quick and easy installation
- Powerful power supply with small dimensions

TECHNICAL DATA

	NT 6.25 A-24 V HS (192113)
Dimensions (W x H x D)	72 x 95 x 66.5 mm
Output voltage	24 V DC
Output current (max.)	6.25 A
Division units	4 division units

STEP-UPS UNINTERRUPTIBLE POWER SUPPLY



Areas of application

- For installation on top hat rails
- Approved for use with GEZE emergency exit system door control units

Product features

- Lithium-ion technology ensures low battery maintenance and a long service life
- Integrated battery module enables compact design and space-saving top hat rail
- Battery module installed without tools for easy replacement
- Automatic, cyclical battery quality testing guarantees reliable operation and promptly signals when a battery needs to be replaced
- Deep discharge protection protects the battery against damage, even under high loads
- Alarm status is displayed visually on the device and can be transmitted via contact
- Charge status is displayed visually on the device and can be transmitted via contact
- Battery status is displayed visually on the device and can be transmitted via contact
- Adjustable buffer time allows for individual adjustment to fit any application

TECHNICAL DATA

Phoenix Contact UPS 24 V DC, 46 WH (193212)	
Dimensions (W x H x D)	108 x 90 x 71 mm
Output voltage	24 V DC
Output current (max.)	3 A
Division units	6 division units

ORDER INFORMATION

Designation	Version	ID no.
NT 1.1 A-24 V UP power supply	black	151426
NT 24-1.3 A - 24 V DC power supply	grey	078401
NT 1.5 A-24 V HS power supply	black	151425
NT 2.5 A-24 V HS power supply	black	151424
NT 6.25 A-24 V HS power supply	grey	192113
STEP-UPS uninterruptible power supply	grey	193212

Indicator lamps and signal horns

SLE 220 UP INDICATOR LAMP, GREEN



Areas of application

- Increases safety even in large rooms
- Approved for use with GEZE emergency exit system door control units
- Designed for installation in 55-type flush-mounted ranges

Product features

- Warning light for reinforcing an optical alarm signal

TECHNICAL DATA

SLE 220 UP indicator lamp, green	
Reflector colour	green
Operating voltage	24 V DC
Current consumption	18 mA
Switch programme	Jung AS 500, alpine white

SLE 220 UP INDICATOR LAMP, RED



Areas of application

- Increases safety even in large rooms
- Approved for use with GEZE emergency exit system door control units
- Designed for installation in 55-type flush-mounted ranges

Product features

- Warning light for reinforcing an optical alarm signal

TECHNICAL DATA

SLE 220 UP indicator lamp, red	
Reflector colour	red
Operating voltage	24 V DC
Current consumption	18 mA
Switch programme	Jung AS 500, alpine white

SLE 220 INDICATOR LAMP SURFACE-MOUNTED



Areas of application

- Increases safety even in large rooms
- Approved for use with GEZE emergency exit system door control units

Product features

- Warning light for reinforcing an optical alarm signal
- Surface-mounted installation for simple installation without a lot of installation effort

TECHNICAL DATA

SLE 220 indicator lamp surface-mounted	
Dimensions (W x H x D)	61 x 61 x 74 mm
Reflector colour	red
Operating voltage	24 V DC
Current consumption	85 mA / 24 V
Switch programme	Jung AS 500, alpine white
IP rating	IP20

FLASHLIGHT



Areas of application

- Increases safety even in door situations that are poorly visible
- Approved for use with GEZE emergency exit system door control units
- In humid environments due to high IP rating

Product features

- Surface-mounted installation for simple installation without a lot of installation effort
- Sturdy, maintenance-free and fail-safe design due to the reflector's polycarbonate housing
- Xenon tubes for high visibility performance

TECHNICAL DATA

Flashlight	
Dimensions (Ø x H)	93 x 72 mm
Reflector colour	red
Flashing frequency	1 Hz, ± 20 %
Operating voltage	20-30 VDC
Current consumption	90 mA
IP rating	IP54

SIGNAL HORN



Areas of application

- Increases safety even in door situations that are poorly visible
- Approved for use with GEZE emergency exit system door control units
- In humid environments due to high IP rating
- Surface-mounted installation for simple installation without a lot of installation effort

Product features

- Controllable volume to make every application situation possible
- 26 settings for signal tone

TECHNICAL DATA

	Signal horn
Dimensions (Ø x H)	111 x 25.5 mm
Reflector colour	red
Signal sound	26 settings
Volume	adjustable between 74 and 94 dB
Operating voltage	10–28 VDC
Current consumption	16 mA
IP rating	IP54

MULTIFUNCTIONAL SIREN



Areas of application

- Increases safety even in large rooms
- Approved for use with GEZE emergency exit system door control units
- In humid environments due to high IP rating
- Designed for installation in 55-type flush-mounted ranges
- Can be mounted in flush-mounted sockets 62.5 mm deep

Product features

- Controllable volume to make every application situation possible
- 28 settings for signal tone

TECHNICAL DATA

	Multifunctional siren
Volume	20 - 107 dB/A (in 1 m)
Signal sound	Choice of 28 tones
Operating voltage	10 - 28 V DC
Current consumption	10 mA
IP rating	IP54
Installation	flush-mounted sockets 62.5 mm deep
Switch programme	Jung AS 500, alpine white

ORDER INFORMATION

Designation	Version	ID no.
SLE 220 indicator lamp flush-mounted	green	115936
	red	115934
SLE 220 indicator lamp surface-mounted	red	020866
Flashlight	red	199465
Signal horn	white	199469
Multifunctional siren	alpine white	199471

Synchronising unit

ST 220 SERVICE TERMINAL



Areas of application

- Emergency exit system door control units
- Motor locks
- Building automation components
- Automatic door drives
- Automatic window drives

Product features

- IR interface for the wireless parameter setting of emergency exit system door control units
- 4 AAA batteries for wireless operation
- Wired parameter setting via RS 485 bus
- Voltage supply via cable in the case of wired operation
- Four-line display and slim user interface for simple operation

TECHNICAL DATA

	ST 220 service terminal
Dimensions	80 x 125 x 37 mm
IP rating	IP40

ORDER INFORMATION

Designation	ID no.
ST 220 service terminal Parameter setting and diagnosis for TZ 320, automatic sliding and swing door systems from DCU software 3.0 and IQ windowdrive, battery operation with 4 x AA cells (not supplied by GEZE), plain text display on illuminated display, membrane keyboard for operation	087261



ACCESS CONTROL AND SAFETY

Operating elements

Locked safely – and yet open in emergencies. Finally, emergency exit electric strikes must also be operated reliably, which is the purpose of the range of operating elements. If your building possesses several emergency exits, you can control and manage them. Another intelligent product is the GEZE Cockpit, our building automation system, which networks door and window technology – and increases safety even more.



myGEZE Control connectivity platform



Controller system as maximum system expansion with GEZE CAN bus, I/O technology and KNX to connect all GEZE products and third-party products.

SYSTEM CONSISTING OF

- Basic device
- 10x 8-channel digital input terminal
- Potential distribution terminals 24 V DC
- Power supply terminal
- 10x output terminals 2-channel-relay
- 10x output terminals 4-channel-relay
- 5x CAN-master terminal + CAN-connector
- E-bus coupler
- 2x terminal KNX/EIB
- Bus end terminal

AREAS OF APPLICATION

- BACnet IP integration in building management systems
- Networking of GEZE products that can be connected with CAN bus technology
- Networking of non BUS capable components via digital input and output terminals
- Networking of KNX capable GEZE window drives in the building management system
- Products suitable for emergency exit systems: TZ 320, TZ 321 and TZ 322
- Products suitable for automatic door drives: Slimdrive, Powerturn, TSA 325 NT and Revo.PRIME
- Products suitable for smoke and heat extraction systems: MBZ 300 in different versions
- Products suitable for window systems: Slimchain, Powerchain, F 1200+ and locking systems
- For products with I/O technology like GEZE hold-open systems and third-party products

PRODUCT FEATURES

- System is also available without CAN master terminals and digital input and output terminals
- Maximum system expansion for one control unit, which allows for the connection of up to 200 product systems from the entire product portfolio
- Comprehensive, project-specific configuration according to user specifications possible (system designation, comment texts, status texts)
- Time function and grouped switching commands configurable via scene applications
- BACnet alarm concept integrated, can be adjusted to customer-specific requirements

PRODUCT FEATURES

myGEZE Control with GEZE CAN bus, I/O technology and KNX	Controller system to connect GEZE CAN products and non bus-capable components as well as KNX/EIB components
myGEZE Control with GEZE CAN bus and I/O technology k	Controller system to connect GEZE CAN products and non bus-capable components to the GEZE building system
myGEZE Control with GEZE CAN bus,	Control unit system for smaller applications to connect the GEZE CAN products over multiple bus lines

BASIC DEVICE

myGEZE Control basic device	Powerful embedded PC for top hat rail mounting with integrated BACnet communication
-----------------------------	---

TERMINALS

myGEZE Control CAN master terminal	Master in terminal system for integration of the GEZE CAN devices over multiple bus lines
myGEZE Control 8-channel digital input terminal	Digital input terminal with eight inputs to detect binary control signals from the process level
myGEZE Control output terminal 2-channel relay	Digital output terminal with two potential-free relay outputs and one change-over contact for each
myGEZE Control output terminal 4-channel relay	Digital output terminal with four potential-free relay outputs and one single contact for each
myGEZE Control potential distribution terminal 24 V DC	Potential distribution provides 16 terminal points with a 24 V DC potential
myGEZE Control potential distribution terminal 0 V DC	Potential distribution provides 16 terminal points with a 0 V DC potential
myGEZE Control power supply terminal	To refresh the E-bus via data exchange between the basic controller and terminals
myGEZE Control terminal KNX/EIB	EIB/KNX bus terminal for connection to the KNX/EIB network
myGEZE Control bus end terminal	For data exchange between the bus coupler and bus terminal

COUPLERS

myGEZE Control E-bus coupler	Connects terminal system and serves to install detached coupling stations (distribution box)
------------------------------	--

CONNECTORS

myGEZE Control CAN connector	Connector in the housing for use with the myGEZE Control CAN master terminal
------------------------------	--

COVERS

myGEZE Control bus end cover	To cover the E-bus contacts
------------------------------	-----------------------------

myGEZE Visu



Building management software for visualisation, operation, control and monitoring of connected GEZE product systems

AREAS OF APPLICATION

- Operation of a building management system for door, window and safety technology of GEZE product systems and competitors
- Visualisation, operation and monitoring of connected GEZE products
- Use of standardised workflows to release incidents
- Alarm concepts for forwarding incidents in modern facility management systems

PRODUCT FEATURES

- Visualisation system with modular and flexible authorisation concept
- Visualisation, operation, and monitoring of connected GEZE product systems
- Location option for devices on a customer-specific building plan
- Pre-defined, adaptable alarm concept for multi-stage processing of alarms, faults and messages
- Application for using e-mail notification service
- Multi-station capable operating system
- Activation of further functions via license model
- Simple and intuitive interface set-up and configuration
- Optimised for connection to myGEZE Control systems
- Parallel operation with any building management system possible

Accessories

IO 420 EXTENSION MODULE



Area of application

- Module to expand the digital inputs and outputs on the TZ 320

Product features

- Plastic top-hat rail housing for installation in the control cabinet or suspended ceiling
- Four integrated relays, each with a potential-free changeover contact for carrying out switching functions
- Four integrated inputs for the release of switching functions and/or the placement of messages
- Connection between the interface modules via RS 485 interface in line topology

TECHNICAL DATA

	IO 420 extension module
Dimensions	107 x 111 x 59 mm
Service temperature	-20 °C...+80 °C
Operating voltage	24 V DC
LEDs	1 (red), 2 (yellow), 3 (red), 4 (green), 5 (green), 6 (yellow), in (green), out (red)
Interfaces	GEZE bus 4 inputs 4 outputs DIP switch GEZE bus terminating resistor 120 Ohm Micro SD card FAT16/32 file format for setting parameters and changing settings via PC Reset button to reset factory settings

BUS REPEATER



Areas of application

- Networked GEZE emergency exit systems

Product features

- For extending the bus length by a further 900 m
- For installation on standard carrier rails
- Several repeaters and carrier rail connectors are needed for implementing star and tree structures

TECHNICAL DATA

BUS repeater	
Dimensions	35.2 x 66 x 102.6 mm
IP rating	IP20
Type of installation	Top hat rail mounting
Supply voltage	10 - 32 V DC
Current consumption	80 mA (at 24 V DC)

ORDER INFORMATION

Designation	ID no.
CAN interface galvanically isolated CAN extension module for automatic sliding door, revolving door and swing door drives	119952
BUS repeater	142499

We are GEZE.

For liveable buildings

GEZE stands for innovation, high quality and comprehensive support of building technologies. From the initial idea, planning and operational implementation with standard products to customised system solutions and individual service and maintenance plans. We offer an extensive product range of door, window and safety technology products and are a major driving force behind the digital networking of building automation.

GEZE GmbH

Reinhold-Vöster-Strasse 21 – 29

71229 Leonberg

Germany

Phone: +49 7152 203 0

Fax: +49 7152 203 310

E-Mail: info.de@geze.com

www.geze.com